

PINE ARM ASSEMBLY GUIDE

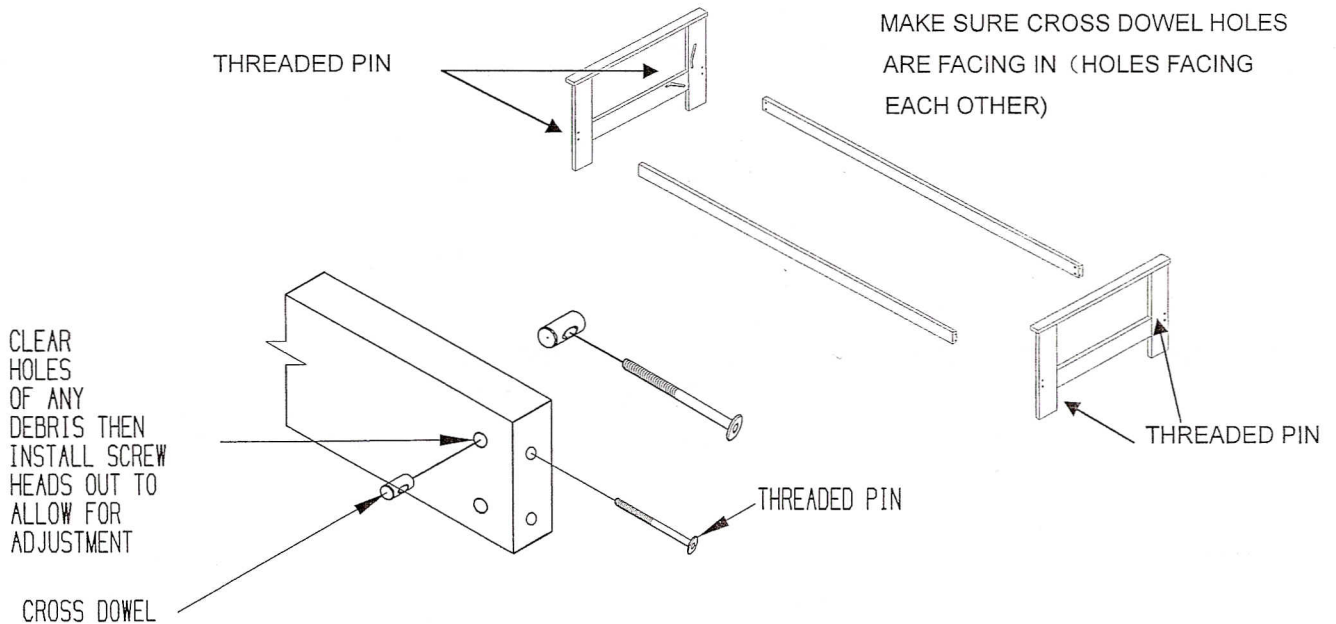


LIST OF MATERIALS

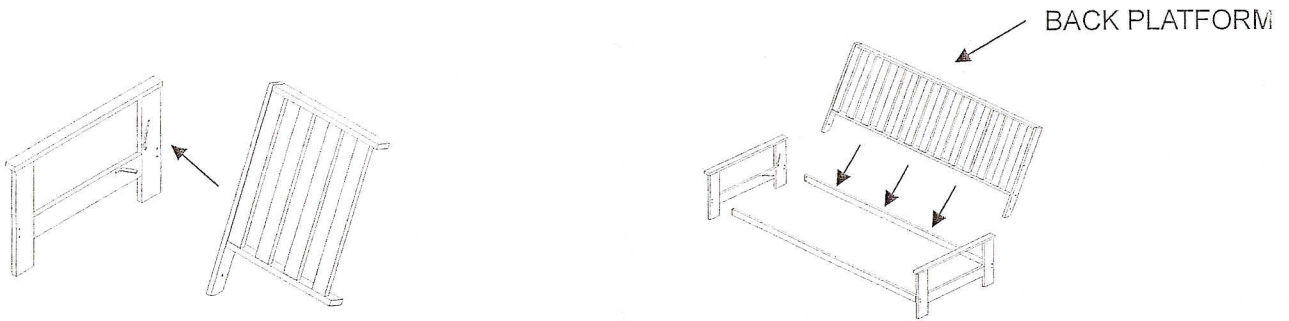
ITEM	DESCRIPTION	#REQ.	COMMENTS
1	4MM ALLEN KEY	1	FASTEN TO SEAT PLATFORM AS SHOWN(VERY IMPORTANT)
2	THREADED PIN	8	TO FASTEN RAILS TO ARMS
3	CROSS DOWEL FITTING	8	INSTALL WITH SCREW HEAD OUT FOR ADJUSTMENT
4	ARM	2	MAY NOT BE EXACTLY AS SHOWN: 1RIGHT 1 LEFT
5	RAIL	2	LONG PORTION DOWN: HIDE CROSS DOWEL HOLES TO INSIDE
6	BACK PLATFORM	1	INSERT ROLLER DOWELS INTO GROOVES IN ARMS
7	SEAT PLATFORM	1	USE OPTIONAL FOAM OR GRIPPER TO SECURE FUTON

ASSEMBLY INSTRUCTIONS:

STEP 1: STAND ARMS UPRIGHT AND SCREW FRONT AND REAR RAIL TO ARMS. LOOSELY ONCE THIS IS DONE COMPLETELY TIGHTEN ONE SIDE OF THE FRAME.



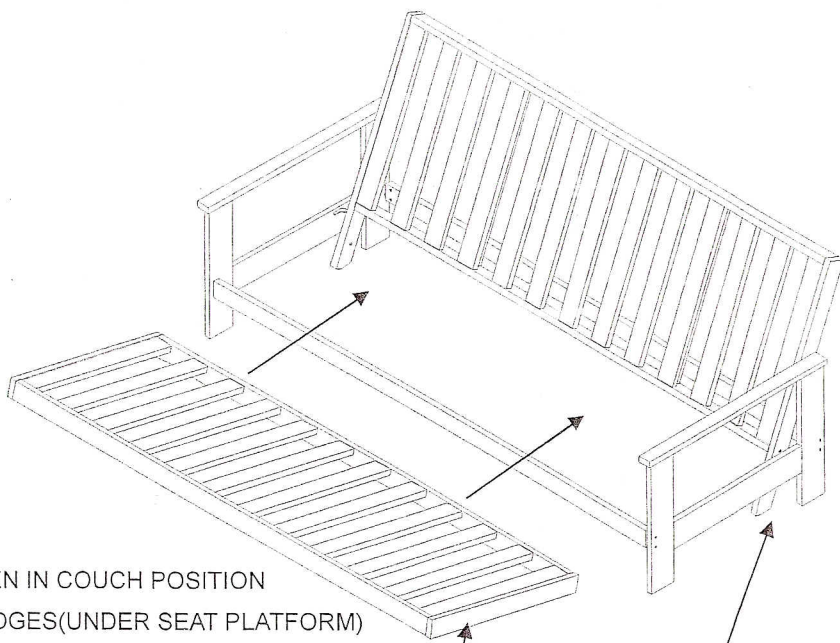
STEP 2 : PLACE BACK PLATFORM INSIDE FRAME
PLACE DOWELS IN THE TIGHTENED SIDE FIRST.
THEN THE LOOSE SIDE. THEN TIGHTEN THE LOOSE ARM COMPLETELY



ROLLER DOWEL PLACEMENT IN GROOVES

STEP 3: INSERT SEAT PLAT BETWEEN BACK PLAT LEGS.MAKE SURE TO LINE UP HOLES IN SEAT AND BACK PLAT AND INSERT LONG BUSHING AND SECURE WITH SHORT SCREW

STEP 4: TO ENSURE PROPER FUNCTION RETIGHTEN ALL SCREWS SECURELY
(WITH REGULAR USE SCREWS NATURALLY LOOSEN.
BE SURE TO RETIGHTEN PERIODICALLY)



NOTE: WHEN IN COUCH POSITION
PLACE WEDGES(UNDER SEAT PLATFORM)
BEHIND FRONT RAIL TO LOCK INTO COUCH
POSITION

SAFETY WEDGE

PUT LONG BUSHING THROUGH BACK PLAT THEN
SEAT PLAT AND SECURE WITH SHORT SCREW
(REFER TO PLATFORM ASSEMBLY INSTRUCTION)

